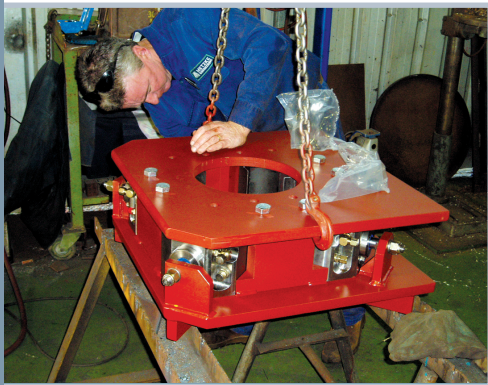
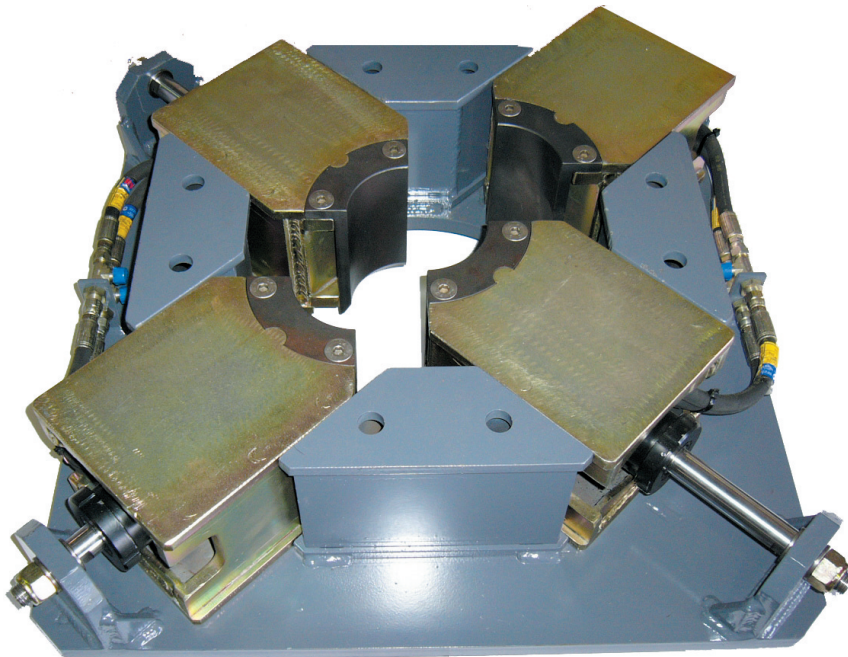
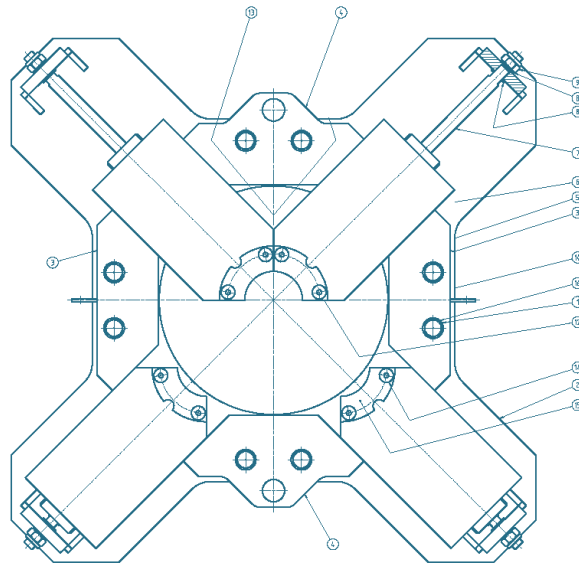


Hydraulic Slips Tables



Models 4510, 4512 & 4516

- Maximum Opening 10", 12" & 16"
- Minimum Opening 4"
- Hydraulic Operation using 4 Hyd.Cylinders with 2" Hose
- All tables constructed using light weight materials
- Designed to enable easy access to all components



METZKE



27 Coulson Way Canning Vale
Perth Western Australia 6155
Ph: 61 8 9455 1206
Fax: 61 8 9455 1104
metzke.com.au