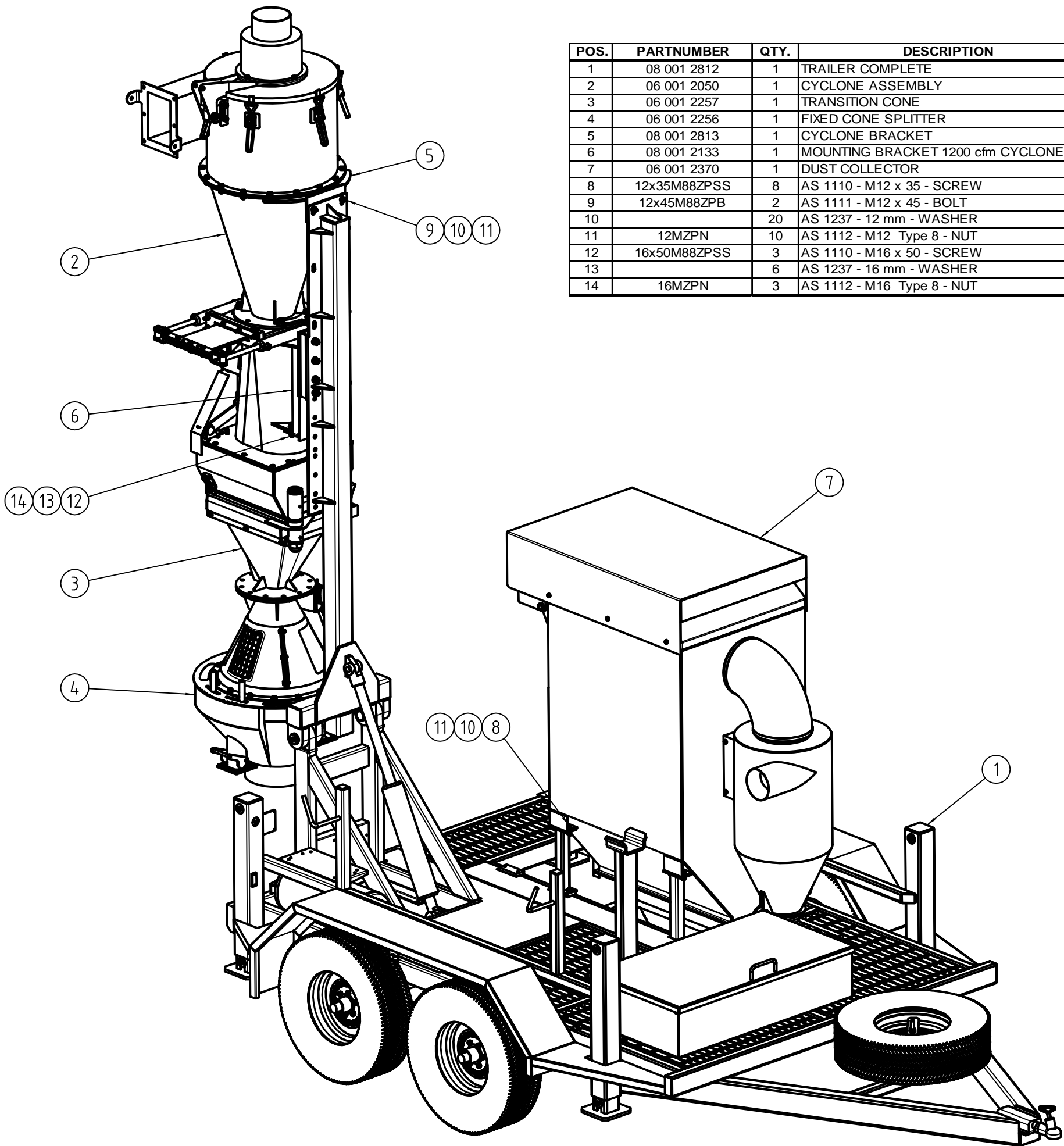


SPL 08 001 2904 SAMPLE TRAILER, CYCLONE 1200cfm, DCT 1200cfm



POS.	PARTNUMBER	QTY.	DESCRIPTION
1	08 001 2812	1	TRAILER COMPLETE
2	06 001 2050	1	CYCLONE ASSEMBLY
3	06 001 2257	1	TRANSITION CONE
4	06 001 2256	1	FIXED CONE SPLITTER
5	08 001 2813	1	CYCLONE BRACKET
6	08 001 2133	1	MOUNTING BRACKET 1200 cfm CYCLONE
7	06 001 2370	1	DUST COLLECTOR
8	12x35M88ZPSS	8	AS 1110 - M12 x 35 - SCREW
9	12x45M88ZPB	2	AS 1111 - M12 x 45 - BOLT
10		20	AS 1237 - 12 mm - WASHER
11	12MZPN	10	AS 1112 - M12 Type 8 - NUT
12	16x50M88ZPSS	3	AS 1110 - M16 x 50 - SCREW
13		6	AS 1237 - 16 mm - WASHER
14	16MZPN	3	AS 1112 - M16 Type 8 - NUT